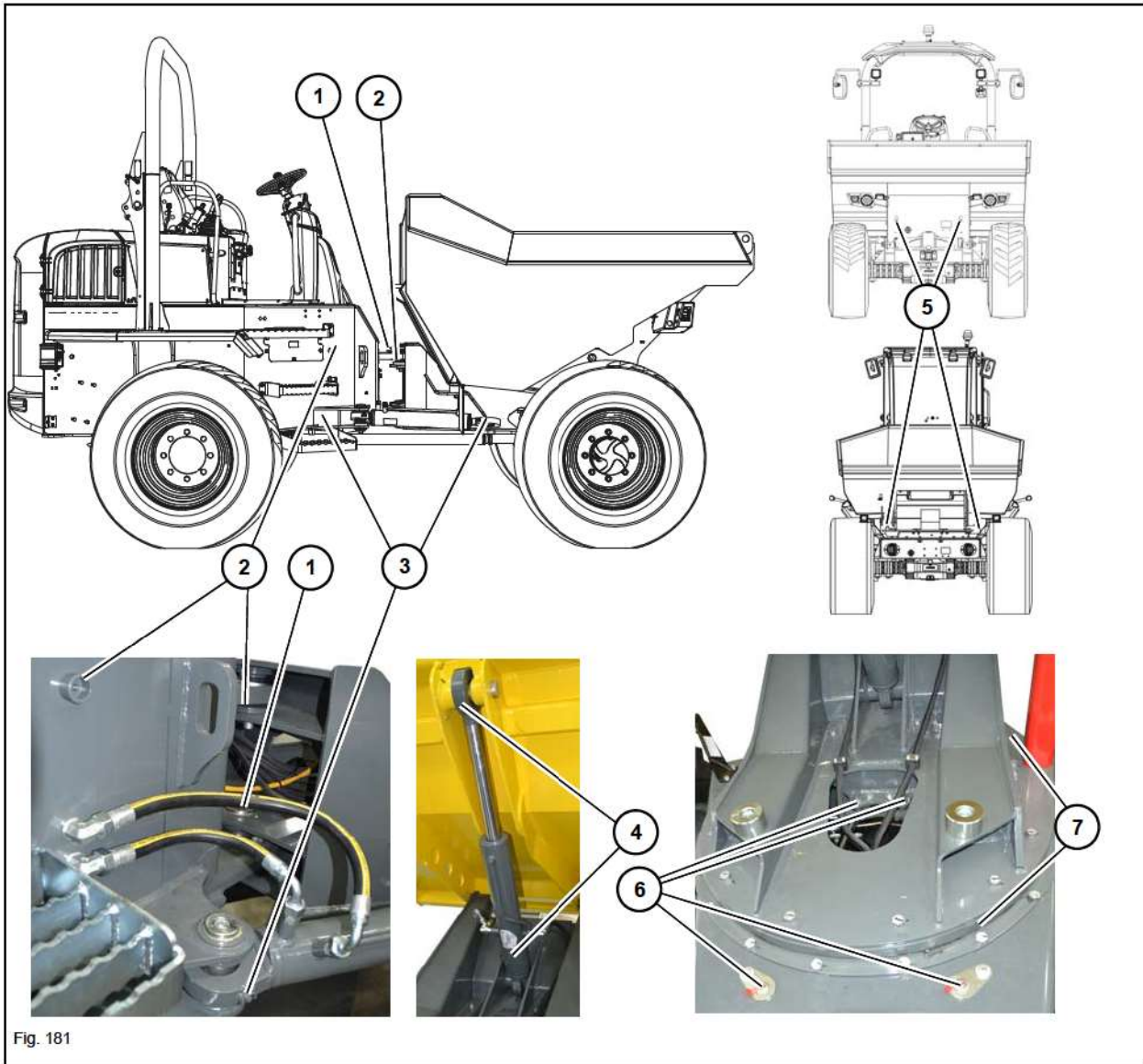




Lubrication plan

Lubricate the specified lubrication points once a day. Before starting maintenance, lower the red maintenance prop when the skip is raised and secure the skip with it.



Position	Lubrication point ¹	Quantity
1	Articulated joint on left and right	2
2	Articulated joint (left side of joint, right side of machine)	2
3	Front and rear of steering cylinder	2
4	Top and bottom of steering cylinder	2
5	At front of skip	2
6	Swiveling cylinder ²	4
7	Live ring ²	4

1. Lubrication on the pins or directly on the cylinders
 2. Option for swivel skip